

ZARF50140-L-TV

Needle roller/axial cylindrical roller bearing

Schaeffler ID:
0016831870000

Needle roller/axial cylindrical roller bearings ZARF...-L, double direction, for screw mounting, long shaft locating washer

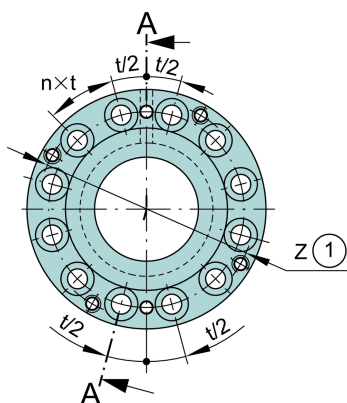
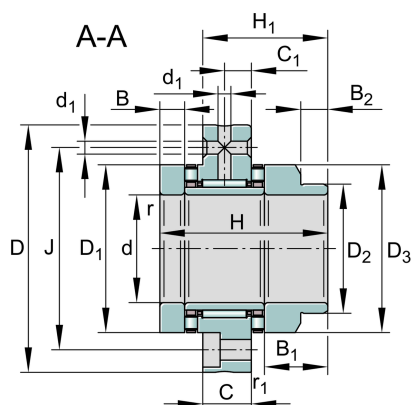
Technical information

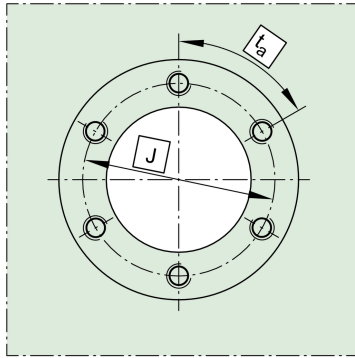
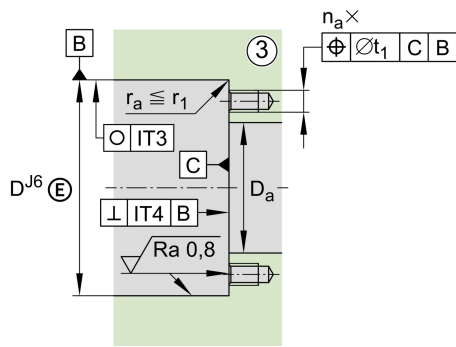
Main Dimensions & Performance Data

d	50 mm	Bore diameter
D	140 mm	Outside diameter
H	103 mm	Height
C_a	172.000 N	Basic dynamic load rating, axial
C_{0a}	480.000 N	Basic static load rating, axial
C_r	46.500 N	Basic dynamic load rating, radial
C_{0r}	103.000 N	Basic static load rating, radial
C_{ua}	44.500 N	Fatigue load limit, axial
C_{ur}	12.700 N	Fatigue load limit, radial
$n_{G\text{ Oil}}$	3.100 1/min	Limiting speed for oil lubrication
$n_{G\text{ Grease}}$	1.100 1/min	Limiting speed for grease lubrication
M_{RL}	3,8 Nm	Bearing friction torque
	4,245 kg	Weight

Mounting dimensions

$D_{a\text{ max}}$	96 mm	Maximum diameter of housing shoulder
$d_{a\text{ min}}$	73 mm	Minimum diameter shaft shoulder





Dimensions

H_1	72 mm	Height outer ring over wave washer
C	22,5 mm	Width, outer ring
C_1	12,5 mm	Distance to lubrication hole
D_1	95 mm	Rip diameter shaft washer
D_2	75 mm	Heeldiameter wave washer long
D_3	93 mm	Outside diameter wave washer long
B	17,5 mm	Width, wave washer
B_1	38,5 mm	Width wave washer long
B_2	18 mm	Width heel wave washer long
r_{min}	0,3 mm	Minimum chamfer dimension
$r_{1 min}$	0,6 mm	Minimum chamfer dimension 1
d_1	6 mm	Diameter lubrication hole
J	113 mm	Pitch circle diameter (holes)
n	12	Number (screwing holes)
n x t	30 °	Split

Temperature range

T_{min}	-30 °C	Operating temperature min.
T_{max}	120 °C	Operating temperature max.

Additional information

c_{aL}	4.600 N/μm	Rigidity axial
c_{kL}	2.900 Nm/mrad	Tilting stiffness
M_m	35,3 kg*cm ²	Mass moment of inertia
	1 μm	Axial runout
radial	ZMA50/92	Recommended INA precision locknut for radial locking (not included)
axial	AM50	Recommended INA precision locknut for axial locking (not included)
M_A	180 Nm	Tightening torque nut
	36.224 N	Required locknut force
	75X95X10	Rotary shaft seal to DIN 3760 (not included)
	M10	Size fixing screws DIN EN ISO 4762 10.9 (not included)
n_a	12	Number of screws
$na \times ta$	30 °	Division (screwing holes)

